

AT4-1.8K

Mechanical Flange Alignment Tool

The AT4-1.8K is a mechanical flange alignment tool that is used to correct:

- **linear misalignment** (when the axis of the two flanges are not aligned).
- **rotational misalignment** (when the axis of the flanges are aligned but the boltholes are not).

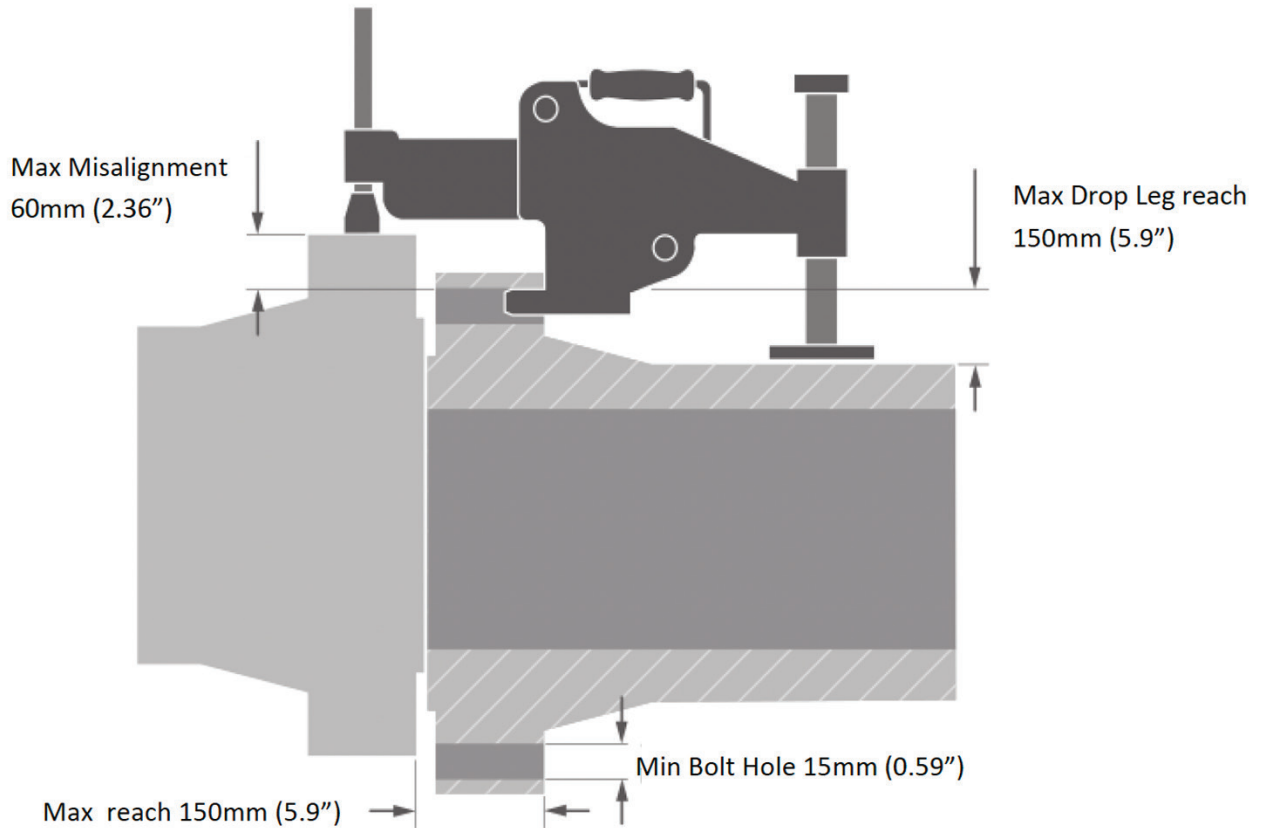
The AT4-1.8K can produce a maximum reaction alignment force of 18kN when a torque of 30Nm (22ft.Lb) is applied to the tool.

- High durability High Quality low Maintenance design.
- Tool weight 8Kg
- No external anchor points or rigging required
- Can be used to prevent misalignment during flange joint maintenance
- 100% Load tested and certified
- Prevents gasket pinching during flange joint assembly
- Torque wrench provided for accurate tool loading
- Robust Moulded Case for easy transportation & storage
- Bearings rated to provide overload warning



FSW9D

Flange Spreading Wedge



Kit weight: 12Kg

Kit Dims.: 580mm x 340mm x 180mm

Tool Weight: 8Kg

Tool Dims.: 100mm x 285mm x 380mm

Product ordering code: AT4-1.8k

Kit Content

- 1 x AT4-1.8 Tool
- 1 x Torque wrench
- 1 x Ratchet and Strap
- 1 x Instruction Manual
- 1 x Robust moulded carry case

