

Model Shown:
RC2402P

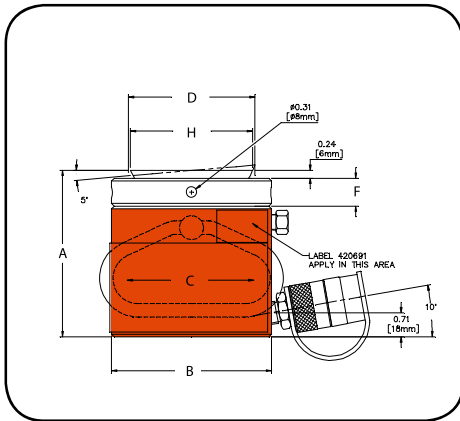


Features

LOW HEIGHT POSITIVE MECHANICAL LOCK TO SUPPORT EXTENDED LOAD HOLDING.

- Compact design where space is limited.
- Locking collar designed to support lifted load for extended periods of time with hydraulic pressure released.
- Integral tilt saddle comes standard and improves performance under side load, reducing the effects of off-center loading
- Overflow port (weep hole) prevents piston from being overextended under load.
- Special coating improves corrosion and abrasion resistance.
- Equipped with 3/8" NPTF female half couplers.

Technical Dimensions



Pancake locking cylinders are ideal for tight quartered locations.



Ordering Information

Cyl. Cap. (ton)	Stroke (mm)	Order No.	Oil Cap. (cm ³)	A	B	C	D	E	F	G	H	Metric Tons at 700 (bar)	Prod. Wt. (kg)
				Retracted Height (mm)	Outside Dia. (mm)	Bore Dia. (mm)	Piston Thread Dia. (mm)	Base to Port (mm)	Nut Thickness (mm)	Swivel Cap Protrusion (mm)	Swivel Cap Dia. (mm)		
55	50,8	RC0552P	355	125	120	95	3.74 x 4	19	21	6	92	50	11
100	44,5	RC1002P	597	137	165	130	5.12 x 6	21	31	8	126	100	22
155	44,5	RC1552P	905	148	205	160	6.30 x 6	27	38	9	148	155	39
240	44,5	RC2402P	1413	155	255	200	7.87 x 6	28	40	10	157	240	59
380	44,5	RC3802P	2208	178	320	250	9.84 x 6	35	50	11	240	380	110
620	44,5	RC6202P	3617	192	405	320	12.60 x 6	38	60	10	295	620	193