

Model shown:
RT302, RT1004



Features

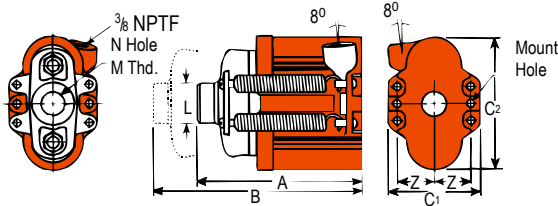
IDEAL FOR PULLING AND PRESSING APPLICATION, REQUIRING HIGHER FORCES.

- Cylinders withstand full “dead-end” loads.
- Compact design is ideal for applications in which space is limited.
- Basic head can be changed from a tapped hole to plain hole by simply changing the insert.
- Pistons have “Power-Tech” treatment for corrosion and abrasion resistance.
- Complies with ANSI / ASME B30.1 safety standards.

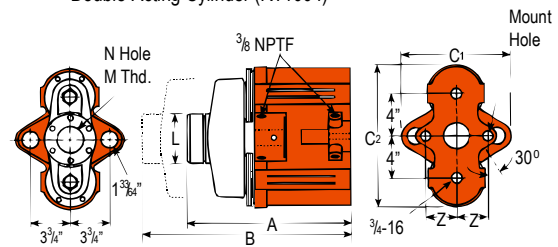
Technical Dimensions, Base Mounting Holes

Dimensions for reference only.

Single-Acting, Spring Return Cylinders



Double-Acting Cylinder (RT1004)

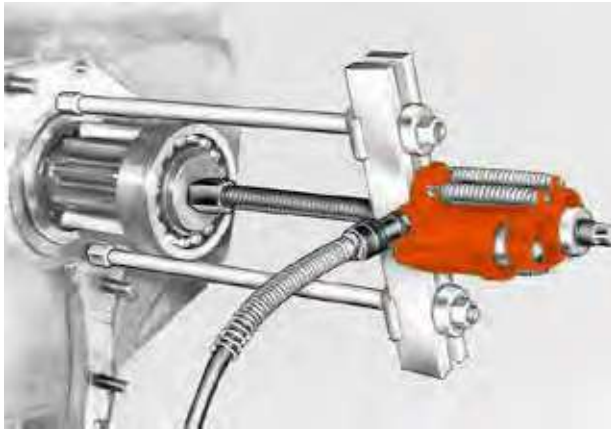


Ordering Information

Cyl. Cap. (ton)	Stroke (mm)	Order No.	Oil Cap.		A	B	C1	C2	L	M	N	Z	Mount Hole (mm)	Cylinder Effective Area (cm ²)	Metric Tons at 700 (bar)	Prod. Wt. (kg)
			Push	Return	Re-tracted Height (mm)	Ex-tracted Height (mm)	Outside Dia.		Load Cap Dia. (mm)	Load Cap Thread (in.)	Center Hole Dia. (mm)	Mount Hole Location (mm)				
							(cm ³)	(mm)								
17.5	50,8	RT172	116	–	174,6	225,4	95,3	146,1	44,5	1" – 8	27,0	38,1	8,7	22,8	16,1	6,6
30	63,5	RT302	258	–	214,3	277,8	108,0	190,5	57,2	1 1/4" – 7	32,9	46,0	11,9	40,5	28,5	12,8
50	76,2	RT503	482	–	268,3	344,5	149,2	238,1	73,0	1 5/8" – 5.5	42,5	60,3	16,7	63,3	44,5	25,4
100	123,8	RT1004*	1,583	1,037	384,2	508,0	266,7	336,6	120,7	2 1/2" – 8	65,1	73,0	19,8	124,1 *	87,3	72,6

* The RT1004 has a bypass when full stroke is reached, preventing over-pressurization of the cylinder.
NOTE: Each cylinder complete with threaded cylinder head insert, cylinder half coupler and cylinder attaching screws.

▶ RT Series center hole cylinder is versatile for strand or pull applications



Center Hole Design Cylinders



RT Series pullers are equipped with a through hole design for additional applications and uses for pulling requiring high force.



Optional Plain Head Cylinder Inserts



Switch from a tapped hole to a plain hole quickly with these cylinder head inserts. They are held in place with a socket screw. Plain hole permits use of a speed nut for re-adjusting cylinder after extension.

For Use With:	Threaded Order No.	Plain Order No.
RT172	21669	21714
RT302	21873	21872
RT503	22274	22275
RT1004	24197	24196

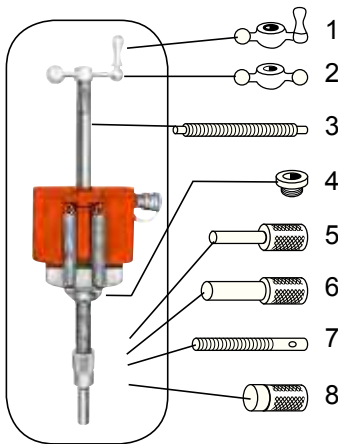


Learn More - About Hydraulic Safety Insight



Looking for great safety suggestions? Visit our Resource Section to get a better understanding of hydraulic and mechanical safety insights on what to look for when working around hydraulics.

▶ **Accessories Ordering Information**



Use with Cylinder Number	No.	RT172, RH203	RT302, RH302, RH303, RH306	RT503, RH503, RH603, RH605, RH606	RT1004
Order Set		RHA20	RHA30	RHA50	RHA100
Speed Crank	1	24814	27198	29595	303785
Speed Nut	2	302482 1"-8 thread	302483 1 1/4"-7 thread	33439 1 5/8"-5 1/2 thread	34136 2 1/2"-8 thread
Adjusting Screw	3	32118 1"-8 thd. 508 mm lg.	34758 1 1/4"-7 thd. 609,6 mm lg.	32698 1 5/8"-5 1/2 thd. 762 mm lg.	32699 2 1/2"-8 thd 869,9 mm lg.
Threaded Insert	4	Threaded insert supplied with RT series cylinders. Order threaded insert for RH series cylinders with the accessory set.			
Pushing Adapter	5	201923 1"-8 thread 12,7 mm diameter shank	34510 1 1/4"-7 thread 19,1 mm diameter shank	34755 1 5/8"-5 1/2 thread 25,4 mm diameter shank	—
Pushing Adapter	6	201454 1"-8 thread 19,5 mm diameter shank	34511 1 1/4"-7 thread 25,4 mm diameter. shank	34756 1 5/8"-5 1/2 thread 31,7 mm diameter shank	—
Jack Screw	7	24813 1"-8 thd. 177,8 mm lg.	25931 1 1/4"-7 thd. 228,6 mm lg.	32701 1 5/8"-5 1/2 thd. 279,4 mm lg.	32702 2 1/2"-8 thd. 406,4 mm lg.
Screw Cap	8	28228 1"-8 thd. 38,1 mm dia.	28229 1 1/4"-7 thd 44,4 mm dia.	28230 1 5/8"-5 1/2 thd, 57,2 mm dia.	—