

Bolting Systems®

HIGH CYCLE TORQUE WRENCH

UP TO 71,816 NM @ 700 BAR (53,000 LBFT @ 10,000 PSI)

Designed for high cycle quality
and lower cost of ownership



Quality means Lower Life-Cycle Costs

- Designed for high cycle life: 2-3x more than existing technology
- Increased reliability: Simple drive assembly means less downtime
- Corrosion resistant material for use in harsh environments

Enhanced Usability

- Compact nose radius allows the tool to fit in tighter, hard-to-reach spaces
- Low weight, high strength design
- Fast operation, long stroke and optimum flow
- Multi-direction high flow swivel manifold
- Push button square drive reversal and reaction arm positioning for all models except TWHC50.

Powerthon Lifetime Warranty



Worry Free Ownership

Designed with Safety in Mind

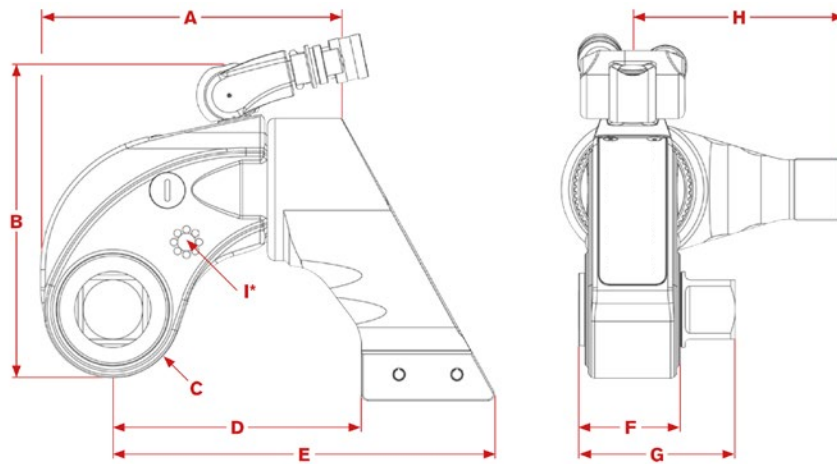
- Fully enclosed drive mechanism for operator safety
- Swivel manifold internal relief valve prevents retract side over-pressurization
- Fine tooth pawl prevents tool 'lock-on'

The tool's designed long-stroke mechanism imparts a 30 degree nut rotation per stroke while maintaining a tight and compact nose radius: this is a clear advantage over the short stroke and back-up pawl mechanisms of light alloy competitive models. Fewer parts and reduced torsion in operation - equals reduced wear, maintenance and associated costs.

Specifications and Dimensional Data

Model	Min Torque		Max Torque		Sq. Drive	A	B	C	D	E	F	G	H	I	Weight	
	lb-ft	Nm	lb-ft	Nm	In	Millimeters (Inches)										Kg
TWHC1	170	230	1413	1915	3/4	132 (5.20)	145 (5.71)	28 (1.10)	111.5 (4.39)	170.0 (6.69)	39.5 (1.56)	67.7 (2.67)	86.1 (3.39)	M6 X 1.0	2.8	6.2
TWHC3	376	510	3136	4249	1	165 (6.50)	173.5 (6.83)	36.5 (1.44)	129.6 (5.10)	197.7 (7.78)	53 (2.09)	83.7 (3.30)	105.1 (4.14)	M6 X 1.0	5.3	11.7
TWHC6	726	982	6050	8198	1-1/2	192 (7.56)	201.6 (7.94)	44 (1.73)	158.5 (6.24)	243.7 (9.59)	61 (2.40)	99.9 (3.93)	135.1 (5.32)	M8 X 1.25	8.8	19.4
TWHC11	1336	1811	11134	15095	1½"	231 (9.09)	233 (9.18)	53 (2.07)	186 (7.34)	300 (11.81)	86 (3.39)	130 (5.12)	207 (8.16)	M8 X 1.25	15.9	34.9
TWHC50	6360	8628	53000	71816	2-1/2	404.5 (15.93)	356.6 (14.04)	88 (3.46)	266.5 (10.49)	446.6 (17.58)	115 (4.53)	192.2 (7.57)	258 (10.16)	M12 X 1.75	69	152

* Dimension I shows thread size (on both sides of the tool) for safety handle or lifting point. TWHC50 model available with lifting points only.



TWHC Accessories



TWHC-ERA
Extended Reaction Arm



TWHC Handle
TWHC-1,3:
DFTAS000001
TWHC-6,11:
DFTAS000002



TWHC-RP
Reaction Pad



TWHC Hex Drives



TWHC-LRA
Long Reaction Arm

SPXFLOW®

SPX FLOW, Inc. reserves the right to incorporate our latest design and material changes without notice or obligation. Design features, materials of construction and dimensional data, as described in this bulletin, are provided for your information only and should not be relied upon unless confirmed in writing. Please contact your local sales representative for product availability in your region. The green "▶" is a trademark of SPX FLOW, Inc.

For more information, visit www.spxflow.com/bolting-systems

P: (800) 541-1418 • E: info@spxboltingsystems.com | 5885 11th Street • Rockford, IL 61109 U.S.A

BT_TWHC_0522_US | VERSION 05/2022 | COPYRIGHT © 2022 SPX FLOW, Inc.